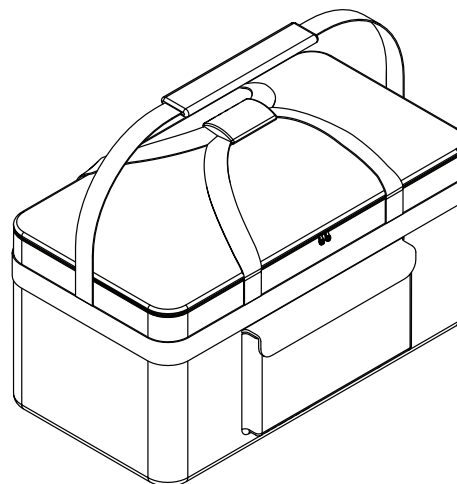


EVERSE-DUFFEL Padded duffel bag for EVERSE

- Spacious duffel bag designed to carry one EVERSE12 loudspeaker or two EVERSE8 loudspeakers and accessories.
- Integrated divider panels and hook and loop straps keep contents organized and secure.
- Stable padded material holds form even without the speaker inside.
- Includes handles and adjustable should strap.



The EVERSE-DUFFEL padded duffel bag can carry either one EVERSE12 or two EVERSE8 loudspeakers and their accessories.

Two integrated divider panels can be adjusted or folded out of the way as needed. Two hook and loop straps are provided to secure contents during transportation.

The integrated divider panels can be configured to secure an EVERSE12 and accessories like the wireless microphone tray and microphone receiver.

Alternatively, both dividers can be used to properly secure two EVERSE8 loudspeakers and accessories. The EVERSE-DUFFEL provides two pockets: an external pocket with hook and loop closure, and an internal mesh pocket with zipper.

Carry the duffel bag by using the two side straps or the adjustable and padded shoulder strap. Two additional triangular anchor points are included to secure the duffel bag to a dolly or cart for additional safety during transportation.

The padded duffel bag material provides protection for the contents and holds its form even without a speaker inside. The bottom surface incorporates an abrasion and water resistant material for durability.

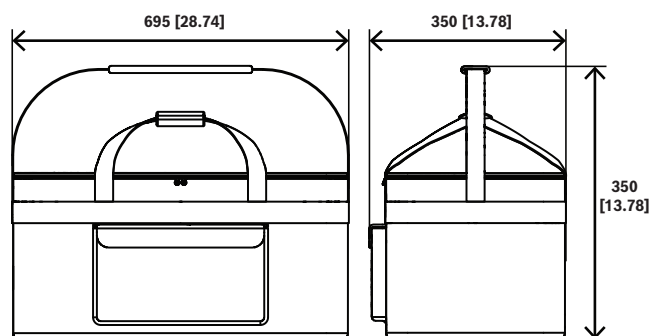
Parts included

Quantity	Component
1	Padded duffel bag

Technical specifications

Color	Black
Material	Polyester, PVC

Dimensions (H x W x D) (mm)	350 mm x 695 mm x 350 mm
Dimensions (H x W x D) (in)	13.78 in x 28.74 in x 13.78 in
Shipping dimensions (H x W x D) (mm)	85 mm x 730 mm x 440 mm
Shipping dimensions (H x W x D) (in)	3.35 in x 28.74 in x 17.32 in
Weight (kg)	1.66 kg
Weight (lb)	3.66 lb
Shipping weight (kg)	1.68 kg
Shipping weight (lb)	3.70 lb



mm[in]